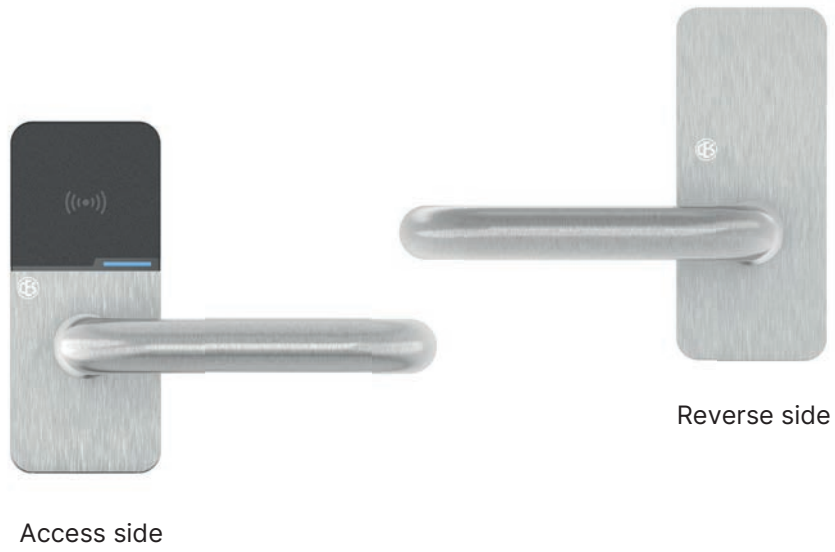


CEsentry electronic handle set
Compact shield EB32xx*



FSB1070



FSB1070G



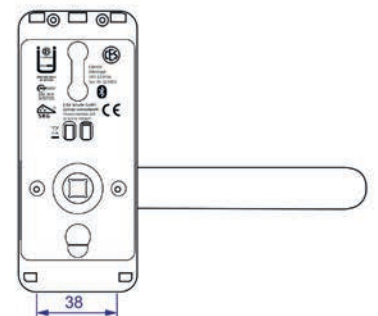
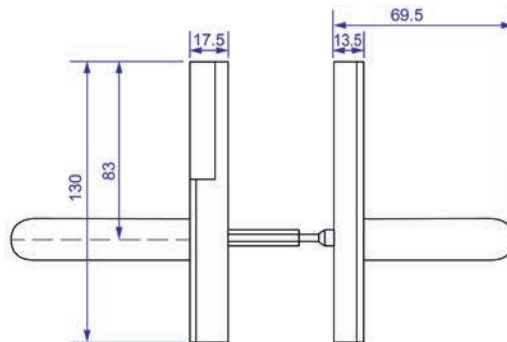
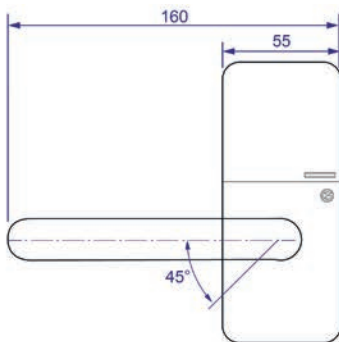
FSB1053



FSB1053G



FSB1076



*Full article designation dependent on version

All dimensions in mm

Technical data

Article designation	EB3200 EB3220 EB3230 EB3250 EB3260
Use	Short wide shield design for solid doors in indoor areas with rosette holes. The design of the handle sets enables drill-free mounting when replacing most rosette handle sets. Conforms to DIN EN 179 and DIN EN 1125 with different locks and panic push bars.
Versions	Art.-no. EB3200 Access side with reader EB3220 Access side with reader, reverse side (mechanical) EB3230 Access and reverse sides with reader (dual version) EB3250 Reverse side (mechanical) EB3260 Access and reverse sides (mechanical)
Fire resistance rating	For devices with national technical approval (abZ): 120 minutes as per DIN EN 1634-1 and DIN EN 18273
Finishes	Special finishes as per CES range or PVD coatings
Dimensions	
Door thicknesses	From 35 mm to 165 mm
Backsets	From 25 mm
Handle square hole	7 mm – 8 mm – 8.5 mm – 9 mm – 10 mm
Ambient conditions and service life	
Protection class	No classification as intended for indoor use
Outside shield temperature	-25°C to +65°C at 0-95% rH non-condensing for the electronics
Inside shield temperature	-25°C to +65°C
Prohibited atmospheres	Not suitable for use in corrosive atmospheres (chlorine, ammonia, lime water)
Handle set service life	200,000 cycles in accordance with DIN EN 16867, grade 7
Power/voltage supply	
Batteries	2x 1.5 V AA (type: Energizer Ultimate Lithium)
Battery life*	Max. number of opening/closing operations per battery: up to 100,000
Data retention	Date and time: min. 15 minutes Authorisations and other settings: unlimited
Precision	Approx. 1 minute per year within temperature range -20°C to +60°C

Technical data [cont.]

Supported standards

Reading	LEGIC advant, all locking media ISO 14443 MIFARE® DESFire®, all locking media ISO 14443 (not MIFARE Ultralight® C)
Data transfer	Bluetooth® Low Energy
Online radio frequency	2.4 GHz IEEE 802.15.4
Reading distance	Up to 20 mm
Interfaces	OSS-SO

Certificates

Classification	DIN EN 16867:2022-02 4 7 -- B 1 4 D 0 0
----------------	-----------------------------------------------------------

Programming

Offline	Via Bluetooth® Low Energy with CESentry Desktop-Writer Via Bluetooth® Low Energy with smartphone (iOS/Android)
Online	Online network via Bluetooth® Low Energy with gateway (in preparation)
Data transfer	Encrypted 128-bit/AES

Memory

Number of events	Max. 2,000
Number of locking media	Max. 5,000

*This information is valid for an ambient temperature of 20°C. Different temperatures, the type of use and locking device parameter settings may result in strongly divergent values.