

CEsentry electronic handle set  
**Narrow Shield EB11xx\***



Access side

Reverse side



FSB1070



FSB1070G



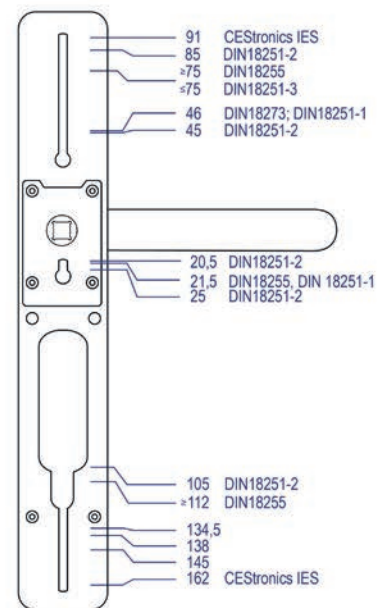
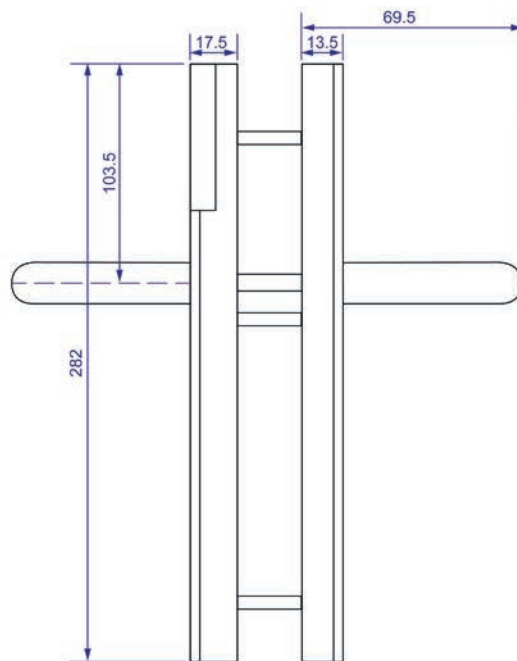
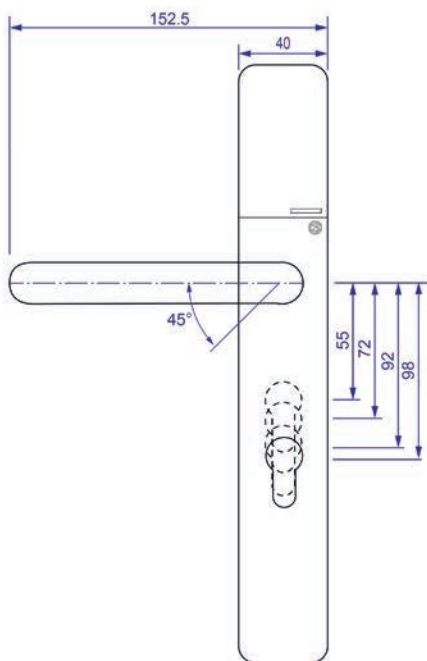
FSB1053



FSB1053G



FSB1076



\*Full article designation dependent on version

All dimensions in mm

## Technical data

<b>Article designation</b>	EB1100   EB1110   EB1120   EB1130   EB1150   EB1160														
Use	Narrow shield for framed doors. The design of the handle sets enables drill-free mounting when replacing most handle sets designed to DIN/EN standards. Conforms to DIN EN 179 and DIN EN 1125 with different locks and panic push bars.														
Versions	<table border="1"> <thead> <tr> <th>Art.-no.</th> <th>Product version</th> </tr> </thead> <tbody> <tr> <td>EB1100</td> <td>Access side narrow with reader</td> </tr> <tr> <td>EB1110</td> <td>Access side narrow with reader, reverse side narrow (mechanical)</td> </tr> <tr> <td>EB1120</td> <td>Access side narrow with reader, reverse side wide (mechanical)</td> </tr> <tr> <td>EB1130</td> <td>Access and reverse sides narrow with reader (dual version)</td> </tr> <tr> <td>EB1150</td> <td>Reverse side only, narrow (mechanical)</td> </tr> <tr> <td>EB1160</td> <td>Access and reverse sides narrow (mechanical)</td> </tr> </tbody> </table>	Art.-no.	Product version	EB1100	Access side narrow with reader	EB1110	Access side narrow with reader, reverse side narrow (mechanical)	EB1120	Access side narrow with reader, reverse side wide (mechanical)	EB1130	Access and reverse sides narrow with reader (dual version)	EB1150	Reverse side only, narrow (mechanical)	EB1160	Access and reverse sides narrow (mechanical)
Art.-no.	Product version														
EB1100	Access side narrow with reader														
EB1110	Access side narrow with reader, reverse side narrow (mechanical)														
EB1120	Access side narrow with reader, reverse side wide (mechanical)														
EB1130	Access and reverse sides narrow with reader (dual version)														
EB1150	Reverse side only, narrow (mechanical)														
EB1160	Access and reverse sides narrow (mechanical)														
Fire resistance rating	120 minutes acc. to DIN EN 1634-1 and DIN EN 18273 (for IP54 variant in preparation) General building authority approval no. Z-6.100-2586														
Finishes	Special finishes as per CES range														
<b>Dimensions</b>															
Door thicknesses	From 35 mm to 165 mm														
Backsets	From 25 mm														
Spacings	From 55 mm to 98 mm														
Handle square hole	7 mm – 8 mm – 8.5 mm – 9 mm – 10 mm														
Cylinder profile apertures	None, Euro profile, Swiss round profile, UK oval														
<b>Ambient conditions and service life</b>															
Protection class	- IPX4 for all fittings in accordance with DIN EN 16867 - IP54 available as a variant														
Outside shield temperature	-25°C to +65°C at 0-95% rH non-condensing for the electronics														
Inside shield temperature	-25°C to +65°C														
Prohibited atmospheres	Not suitable for use in corrosive atmospheres (chlorine, ammonia, lime water)														
Handle set service life	200,000 cycles in accordance with DIN EN 16867, grade 7														
<b>Power/voltage supply</b>															
Batteries	2x 1.5 V AA (type: Energizer Ultimate Lithium) per reader module														
Battery life*	Max. number of opening/closing operations per battery: up to 100,000														
Data retention	Date and time: min. 15 minutes Authorisations and other settings: unlimited														
RTC precision	Approx. 1 minute per year within temperature range -20°C to +60°C														
<b>Supported standards</b>															
Reading	LEGIC advant / MIFARE® DESFire®														
Data transfer	Bluetooth® Low Energy														
Online radio frequency	2.4 GHz IEEE 802.15.4														
Reading distance	Up to 20 mm														
Interfaces	OSS-SO														

## Technical data [cont.]

### Certificates

Classification	DIN EN 16867:2022-02   4   7   --   B   1   4   D   0   0
----------------	---

Protection class	Optionally to DIN EN 16867 ES2 or to NEN SKG***
------------------	---

### Programming

Offline	Via Bluetooth® Low Energy with CESentry Desktop-Writer Via Bluetooth® Low Energy with smartphone (iOS/Android)
---------	---

Online	Online network via Bluetooth® Low Energy with gateway (in preparation)
--------	--

Data transfer	Encrypted 128-bit/AES
---------------	-----------------------

### Memory

Number of events	Max. 2,000
------------------	------------

Number of locking media	Max. 5,000
-------------------------	------------

\*This information is valid for an ambient temperature of 20°C. Different temperatures, the type of use and locking device parameter settings may result in strongly divergent values.

\*\*In preparation